

CE8301

CE8301 Boost Converter

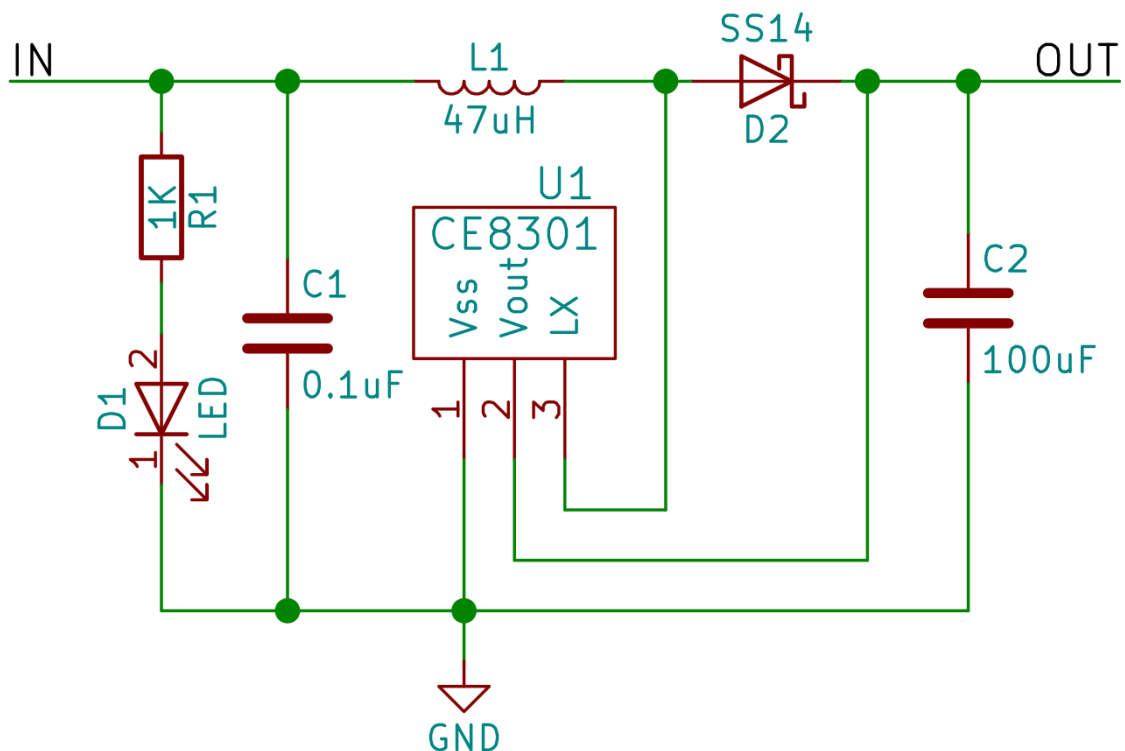
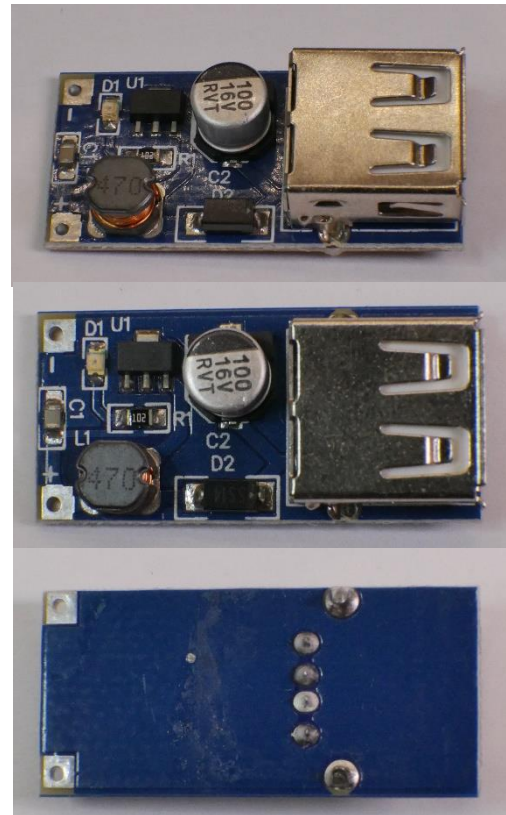
Features

Claimed specification

- Input voltage: 0.9-5V
- Output voltage: 5V
- Size: 34mm x 17mm x 11mm
- Max. output current: 500mA

Additional information

- Starts working at about 2.5V input
- 1.5-3mA idle current
- 0,5-1,5mA idle current when the LED is removed
- CE8301 boost converter chip
- Voltage regulation is not very good



CE8301

CE8301 Boost Converter

Efficiency

5V Output

